



SW VALVE

SAMWOO VALVE CO., LTD.

www.swvalves.co.kr

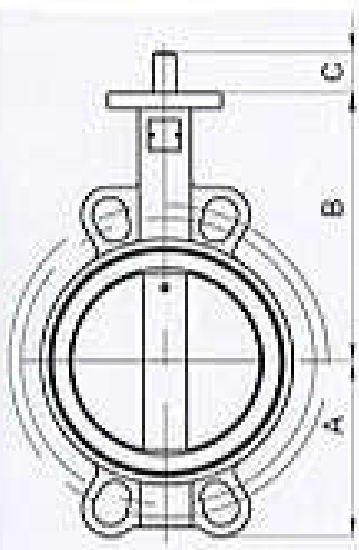
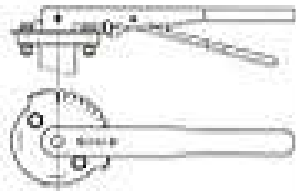


Valve Standard :

Comply with ISO 5752/BS 5155/
BS EN 593/MSS SP-67/API 609

Pressure Temperature Ratings

Working pressure	16bar/25bar
Testing Pressure	Shell:24bar/37.5bar Seal:17.6bar/27.5bar
Working Temperature	-20°C to 110°C EPDM Seat -10°C to 80°C NBR Seat
Suitable Media	Water,Oil&Gas



Material Specification

Part	Material	ASTM
Body	Cast Iron	A126 Class B
	Ductile Iron	A536 Gr. 65-45-12
Disc	Ductile Iron	A536 Gr. 65-45-12
	Bronze	B148 C95400
	Stainless Steel 304	A351 CF-8
	Stainless steel 316	A351 CF-8M
Shaft	Stainless Steel 410	A276 S 410 00
	Stainless Steel 431	A276 S 410 00
Seat Ring	EPDM / NBR	
O-Ring	EPDM / NBR	
Bushing	PTFE	
	Bronze	B62 C83600

Dimensions

DN	mm	40	50	65	80	100	125	150	200	250	300	350	400
	inch	1-1/2	2	2-1/2	3	4	5	6	8	10	12	14	16
A		68	80	89	95	114	127	139	175	203	242	267	309
B		110	161	175	181	200	213	226	260	292	337	368	400
C		24	30	30	30	30	30	30	34	34	34	40	52
L		33	42	45	45	51	55	55	60	67	76	76	102