

CHECK VALVE zCHE



Body material	Nominal pressure	Nominal diameter	Max. temperature
G Forged steel	E 40 bar	DN 15-50	450°C
F Cast steel	E 40 bar	DN 65-300	450°C
M Stainless steel	E 40 bar	DN 15-25	400°C
I Cast stainless steel	E 40 bar	DN 32-300	400°C



correspond to the pressure equipment directive 2014/68/UE marking CE for DN≥32

FEATURES

- closing tightness class D acc. to EN -12266-1
- compact settlement
- environment-friendly
- no maintenance
- face-to-face dimension according to EN 558 series 1

APPLICATION *

* not all of the applications are suitable for all of the executions
On the website www.zetkama.com.pl is a Chemical Resistance List, which specifies the parameters of work for a given medium

industries						
	INDUSTRY	SHIPBUILDING INDUSTRY	HEATING	REFRIGERATION AND AIR CONDITIONING	CHEMICAL INDUSTRY	
media						
	GLYCOL	INDUSTRIAL WATER	DIATHERMIC OIL	STEAM	COMPRESSED AIR	NEUTRAL FLUIDS

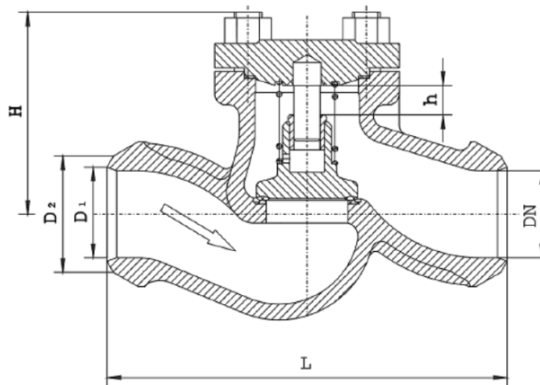
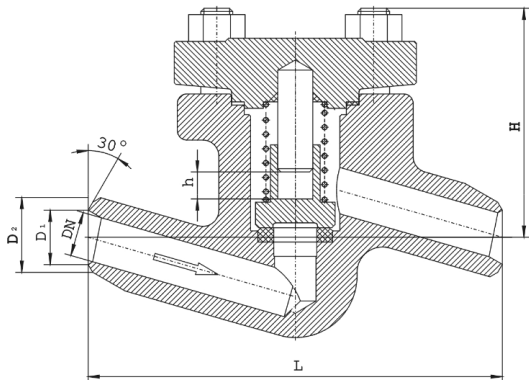
Data given can be changed without notice.

Edition 01/2020

MATERIAŁY, WYMIARY

Body material M DN 15-25
Body material G DN 15-50

Body material I DN 32-300
Body material F DN 65-300



	Body material	G DN 15-50	F DN 65-300	M DN 15-25	I DN 32-300
	Type	31	31	31	31
1	Body	P245GH	GP240GH	X6CrNiTi18-10	GX5CrNiMo19-11-2
2	Cover	P265GH	P265GH	X6CrNiTi18-10	X6CrNiTi18-10
3	Disc	X20Cr13	X20Cr13 DN 15-80 / P245GH DN 100-200 / P265GH DN250-300 (Seat 18-8 CrNi DN 100-300)		GX5CrNiMo19-11-2
4	Gasket	Graphite CrNi			
Max. temperature		450°C			400°C

Body material	F, I													
	DN	15	20	25	32	40	50	65	80	100	125	150	200	250
D1 (mm)	17	22	28	37	43	54	70	82	105	132	159	208	257	325
D2 (mm)	22	28	34	43	49	61	83	96	121	147	176	228	282	331
L (mm)	130	130	130	160 (180)	180 (200)	210 (230)	290	310	350	400	480	600	730	850
H (mm)	56	56	80	105	112	122	150	170	195	203	223	274	360	420
h (mm)	7	7	8	8	10	10	16	20	25	32	45	60	65	110
Weight (kg)	1,3	1,8	2,5	6,0	8,0	12,0	16,0	24,0	35,0	42,0	68,0	120,0	165,0	280,0

Data given can be changed without notice.

Edition 01/2020

ZETKAMA Sp. z o.o.
Ul. 3 Maja 12
PL 57-410 Ścinawka Średnia

Tel. +48 74 8652 193
Tel. +48 74 8652 111
Fax +48 74 8652 199

E-mail export@zetskama.com.pl
www.zetskama.com

PRESSURE-TEMPERATURE RATINGS

	PN		-29÷ -10°C	-10÷ 50°C	100°C	150°C	200°C	250°C	300°C	350°C	400°C	450°C
GP240GH P250 GH	40	bar	30	40	37,1	35,2	33,3	30,4	27,6	25,7	23,8	13,1
X6CrNiTi18-10 GX5CrNiMo19-11-2	40	bar	30	40	40	36,3	33,7	31,8	29,7	28,5	27,4	-

Other type of valves on request.

TYPE

Figure	Body material	Nominal diameter	Nominal pressure	Type
297	G Forged steel P245GH	15-50 mm	E 40 bar	31 loose disc with spring; stem, disc and seat ring - stainless steel
297	F Cast steel GP240GH	65-300 mm	E 40 bar	31 loose disc with spring; stem, disc and seat ring - stainless steel
297	M Stainless steel X6CrNiTi18-10	15-25 mm	E 40 bar	31 loose disc with spring; stem, disc and seat ring - stainless steel
297	I Cast stainless steel GX5CrNiMo19-11-2	32-300 mm	E 40 bar	31 loose disc with spring; stem, disc and seat ring - stainless steel

Data given can be changed without notice.

Edition 01/2020

ORDERING

Figure	Body material	Nominal diameter	Nominal pressure	Type
297	G Forged steel P245GH	15-50 mm	E 40 bar	31 loose disc with spring; stem, disc and seat ring - stainless steel

Order example acc. index

297 G 050 E 31

Check valves, ends welded, form straight
 Forged steel P245GH
 Nominal diameter (mm)
 Nominal pressure PN 40
 Loose disc with spring; stem, disc and seat ring - stainless steel

297 G 050 E 31

Data given can be changed without notice.

Edition 01/2020