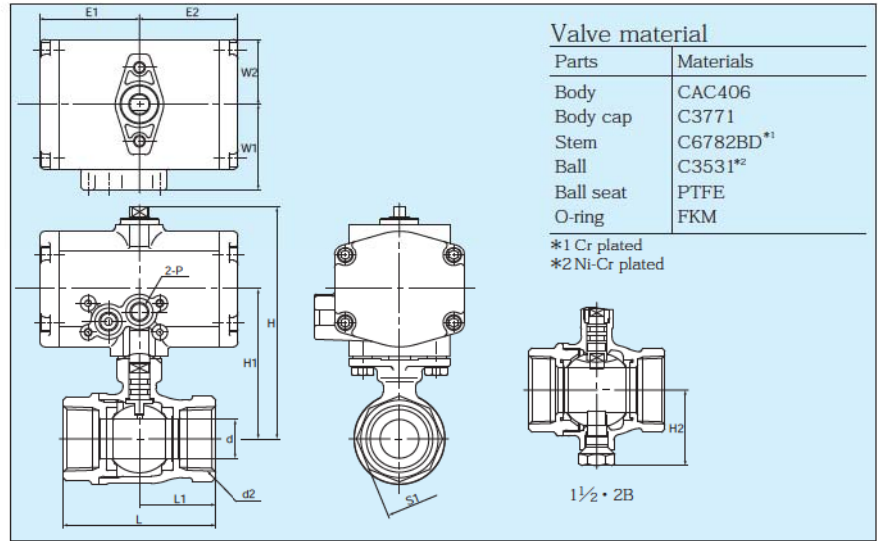


Type C Pneumatic Actuators/Class 10K Bronze Ball Valves

Fig. **C-TE**
(Standard bore)



Valve material	
Parts	Materials
Body	CAC406
Body cap	C3771
Stem	C6782BD*1
Ball	C3531*2
Ball seat	PTFE
O-ring	FKM

*1 Cr plated
*2 Ni-Cr plated

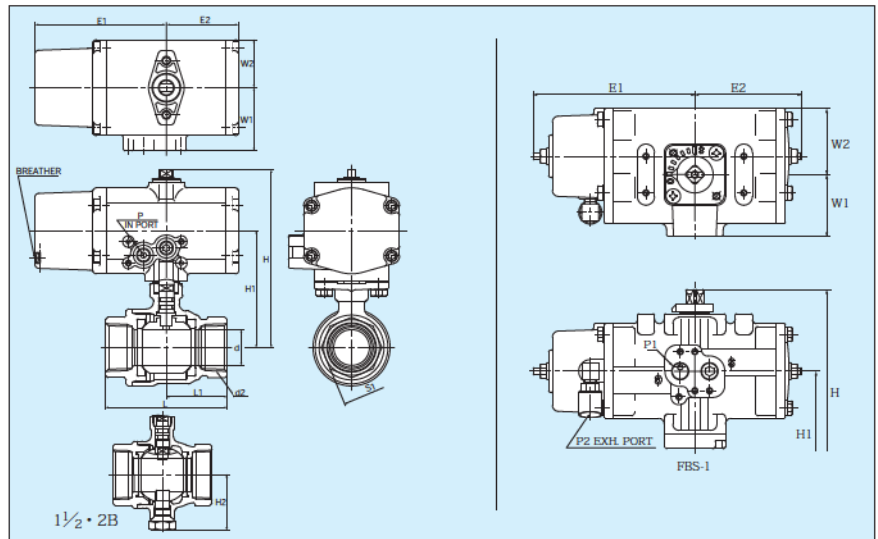
Dimensions

Valve Size (inch)	d	d ₂	H	H ₁	H ₂	L	L ₁	S ₁	Actuators					
									E ₁	E ₂	W ₁	W ₂	P	Type
3/8	7.5	Rc3/8	87.5	56	—	46	22	22	43	43	34.5	26	Rc1/8	C-1
1/2	10	Rc1/2	93.5	62	—	65	32.5	28						
3/4	15	Rc3/4	97.5	66	—	68	34	34						
1	20	Rc1	101.5	70	—	79	39.5	41						
1 1/4	25	Rc1 1/4	124.5	82	—	86	43	50	51.4	51.4	44	33.5	Rc1/8	C-2
1 1/2	32	Rc1 1/2	137.5	95	53.5	96	48	56						
2	40	Rc2	144.5	102	60	109	54.5	68						

(mm)

Type CS/FBS Pneumatic Actuators/Class 10K Bronze Ball Valves

Fig. **CS-TE**
Valve size: 3/8" to 1"
FBS-TE
Valve size: 1 1/4" to 2"
(Standard bore)



Dimensions

Valve Size (inch)	d	d ₂	H	H ₁	H ₂	L	L ₁	S ₁	Actuators						
									E ₁	E ₂	W ₁	W ₂	P ₁	P ₂	Type
3/8	7.5	Rc3/8	87.5	56	—	46	22	22	69.5	43	34.5	26	—	Rc1/8	CS-1
1/2	10	Rc1/2	112.5	70	—	65	32.5	28							
3/4	15	Rc3/4	116.5	74	—	68	34	34							
1	20	Rc1	120.5	78	—	79	39.5	41	92	51.4	44	33.5	—	Rc1/8	CS-2
1 1/4	25	Rc1 1/4	182	112	—	86	43	50							
1 1/2	32	Rc1 1/2	195	125	53.5	96	48	56	132	87	50	54	Rc1/4	Rc1/8	FBS-1
2	40	Rc2	202	132	60	109	54.5	68							

(mm)

Types C • CS/FBS